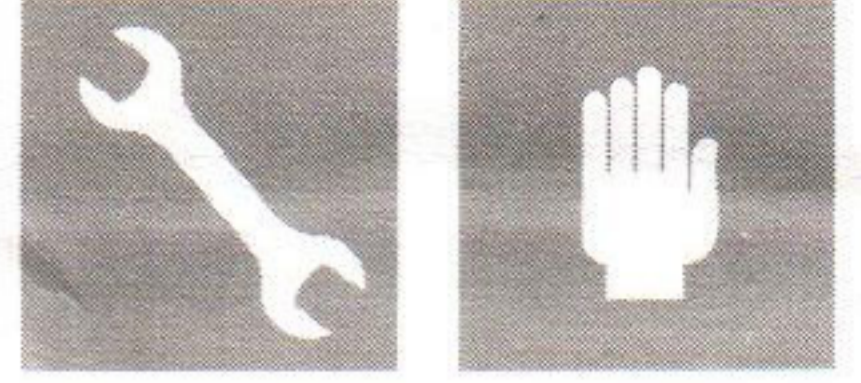
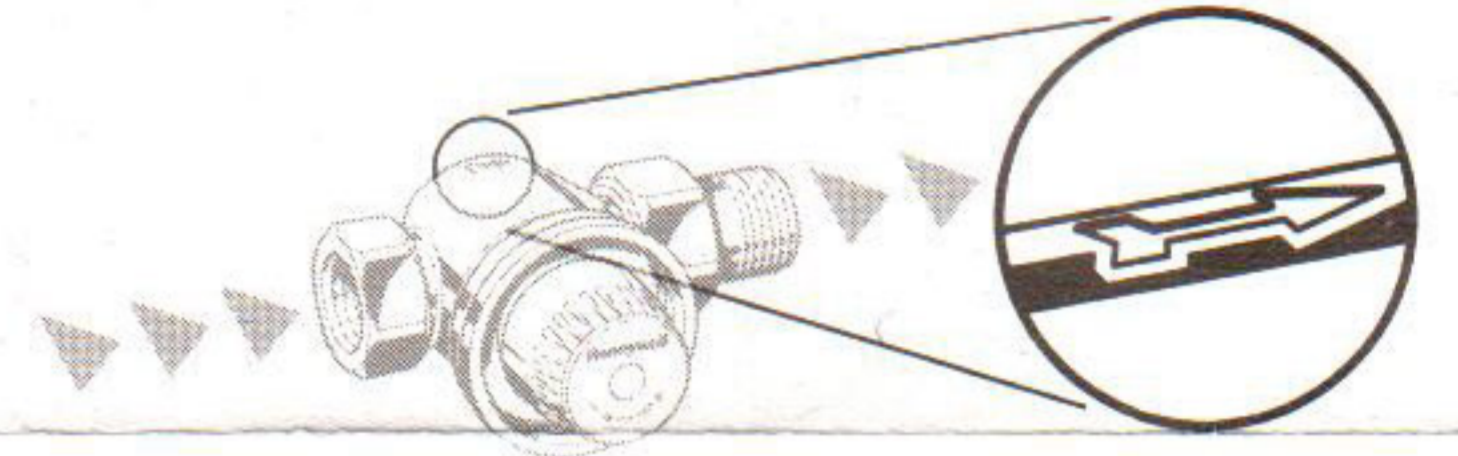


DN15 ⇒ 30
 DN20 ⇒ 37
 DN25 ⇒ 47

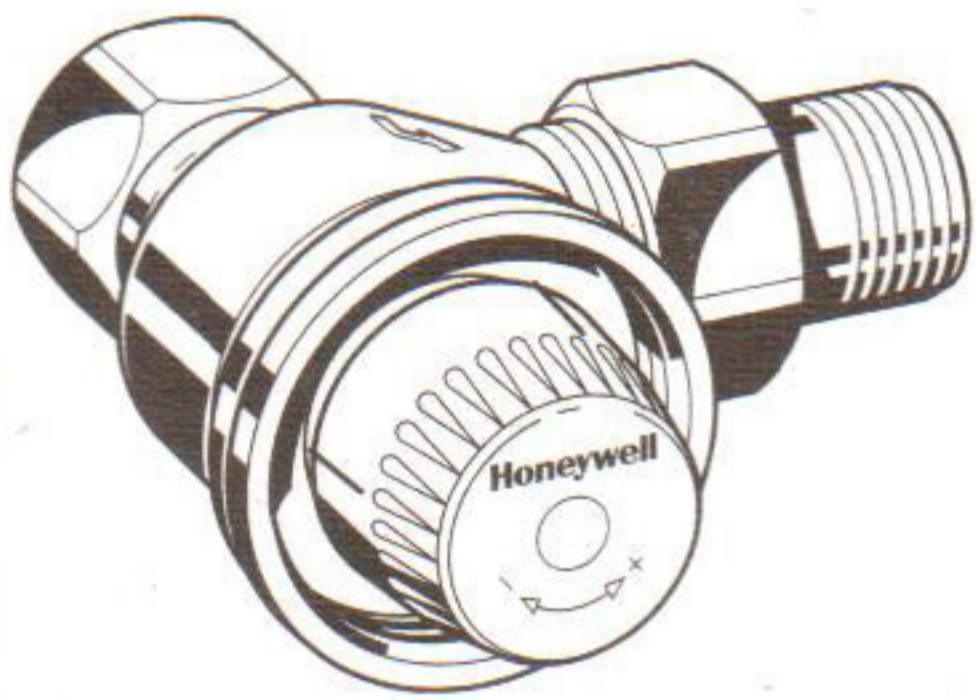


2 - 130°C (36 - 266°F)
 Max. 10bar (145psi)

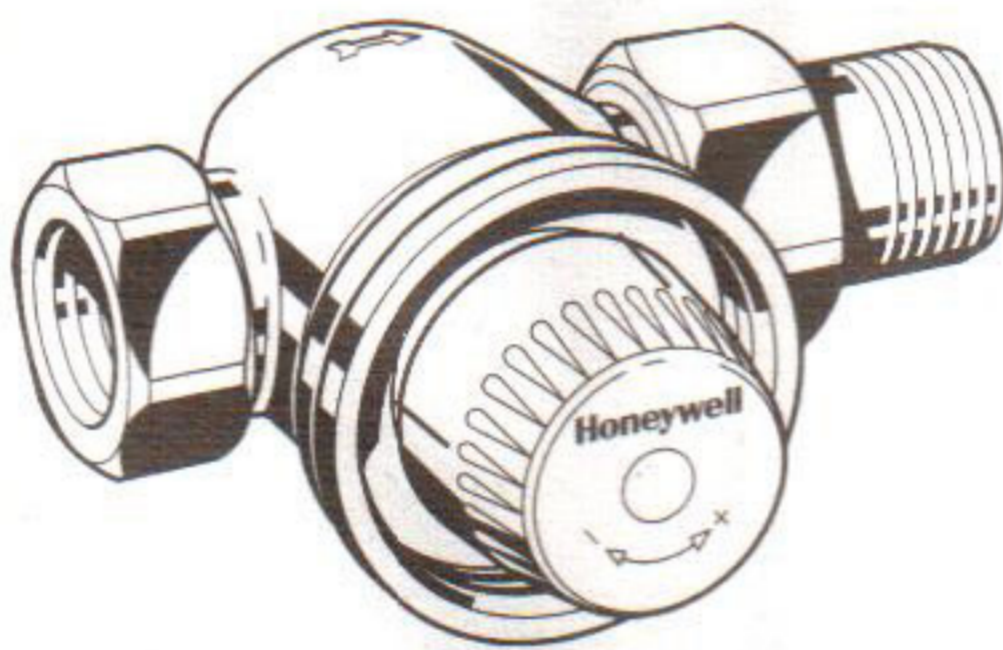
V2050DH15 kvs = 3.5 (cv = 4.10)
 V2050EH15 kvs = 5.0 (cv = 5.85)
 V2050DH25 kvs = 5.0 (cv = 5.85)
 V2050DH20 kvs = 5.0 (cv = 5.85)
 V2050HH15 kvs = 5.0 (cv = 5.85)
 V2050EH20 kvs = 7.0 (cv = 8.19)
 V2050EH25 kvs = 7.0 (cv = 8.19)
 V2050HH20 kvs = 7.0 (cv = 8.19)
 M30 x1.5



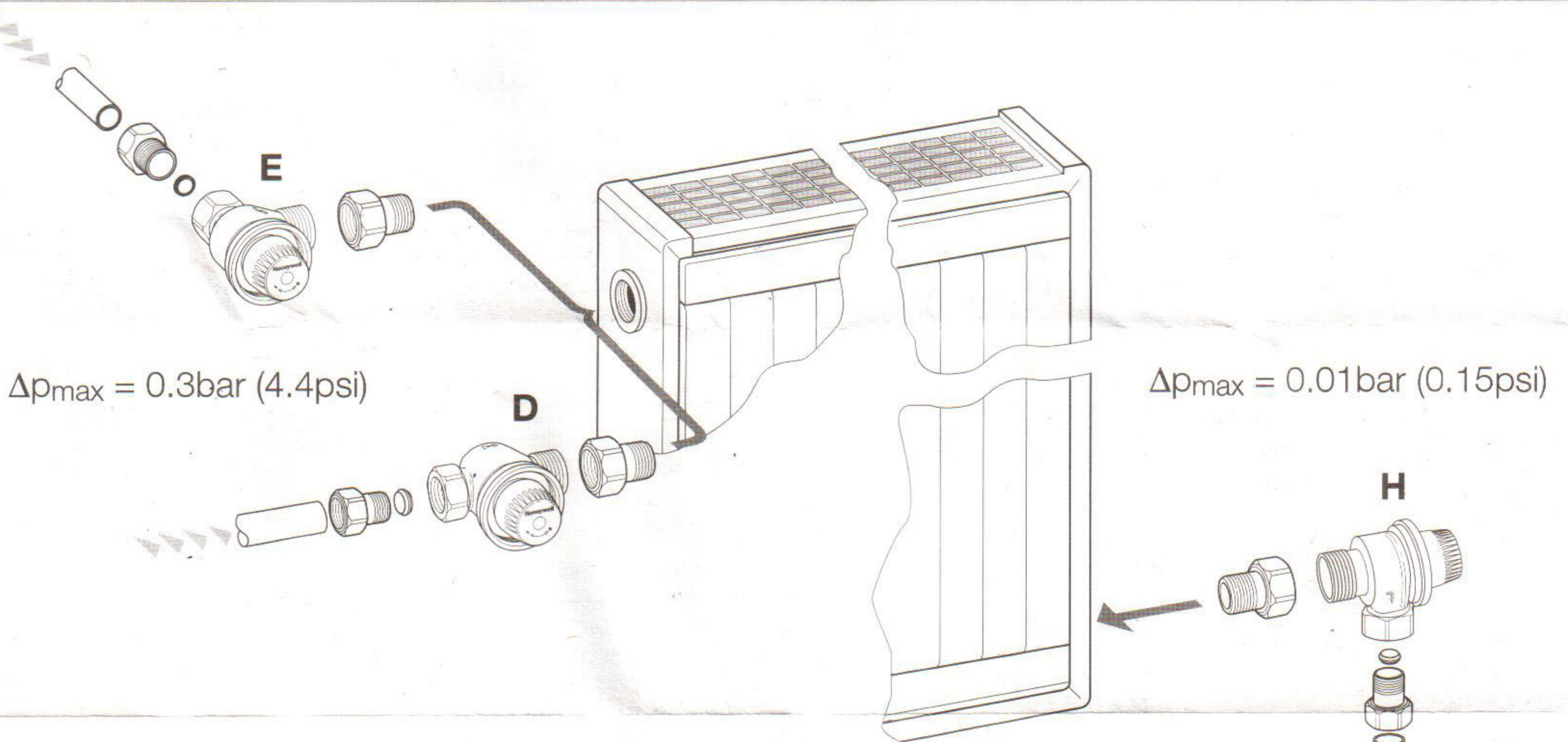
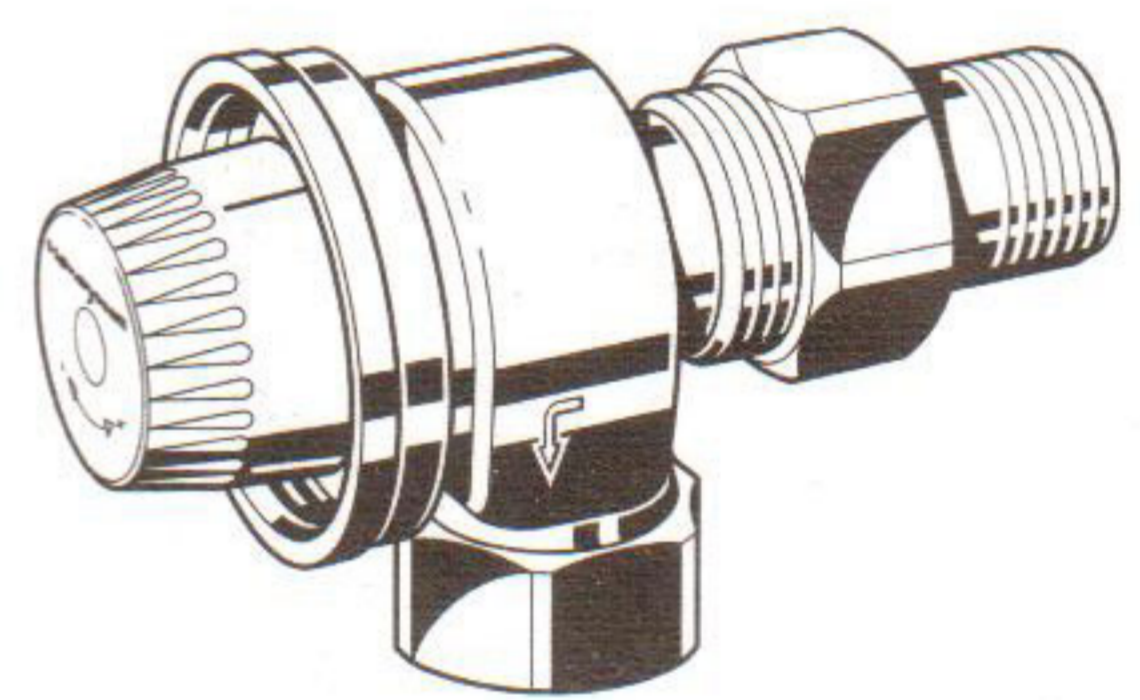
V2050**EH**..
 DN
 (DN15, DN20, DN25)



V2050**DH**..
 DN
 (DN15, DN20, DN25)



V2050**HH**..
 DN
 (DN15, DN20)



50041496-001 Rev. A

